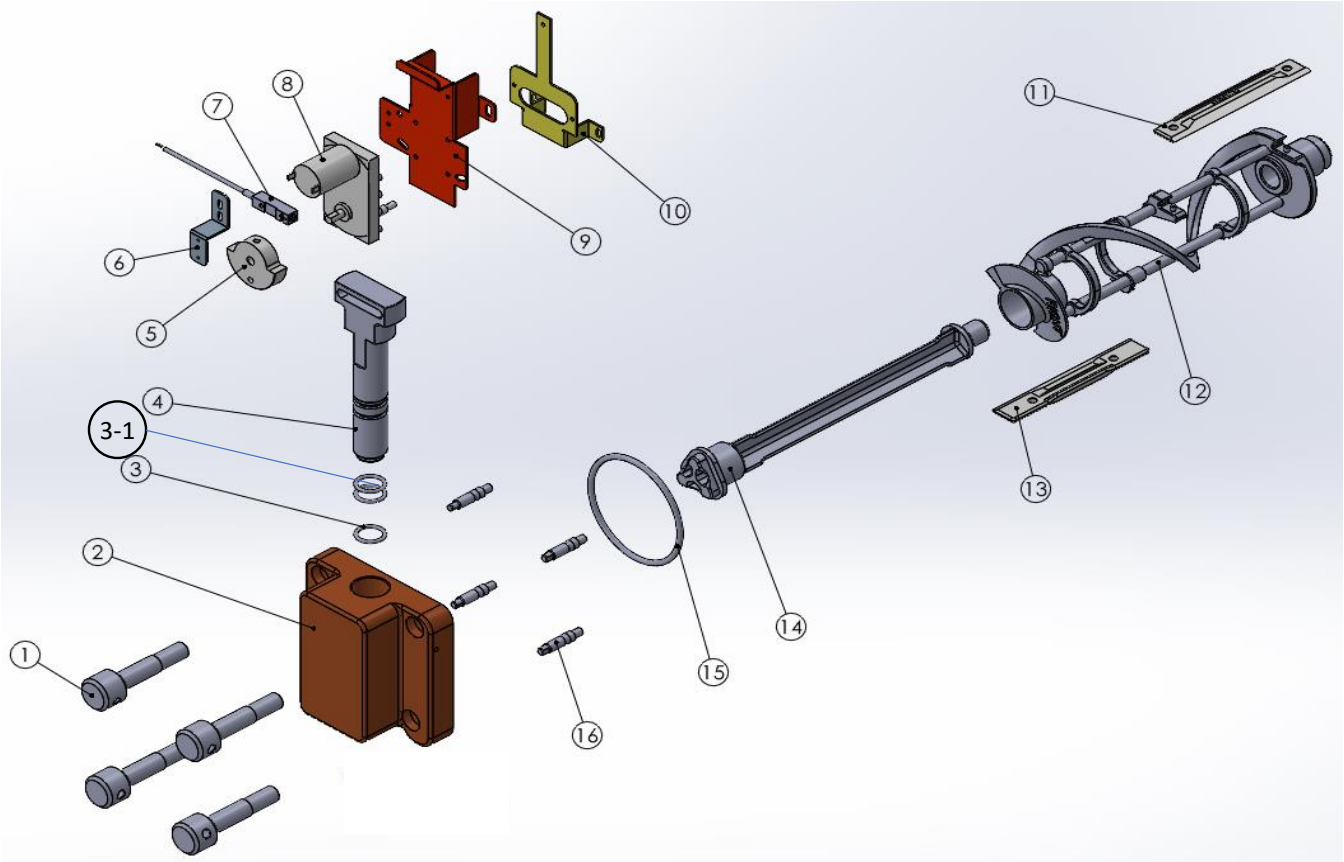




**PART LIST FOR ISI-271SHSN  
220V/60HZ/1PH**

Revised in August 2024

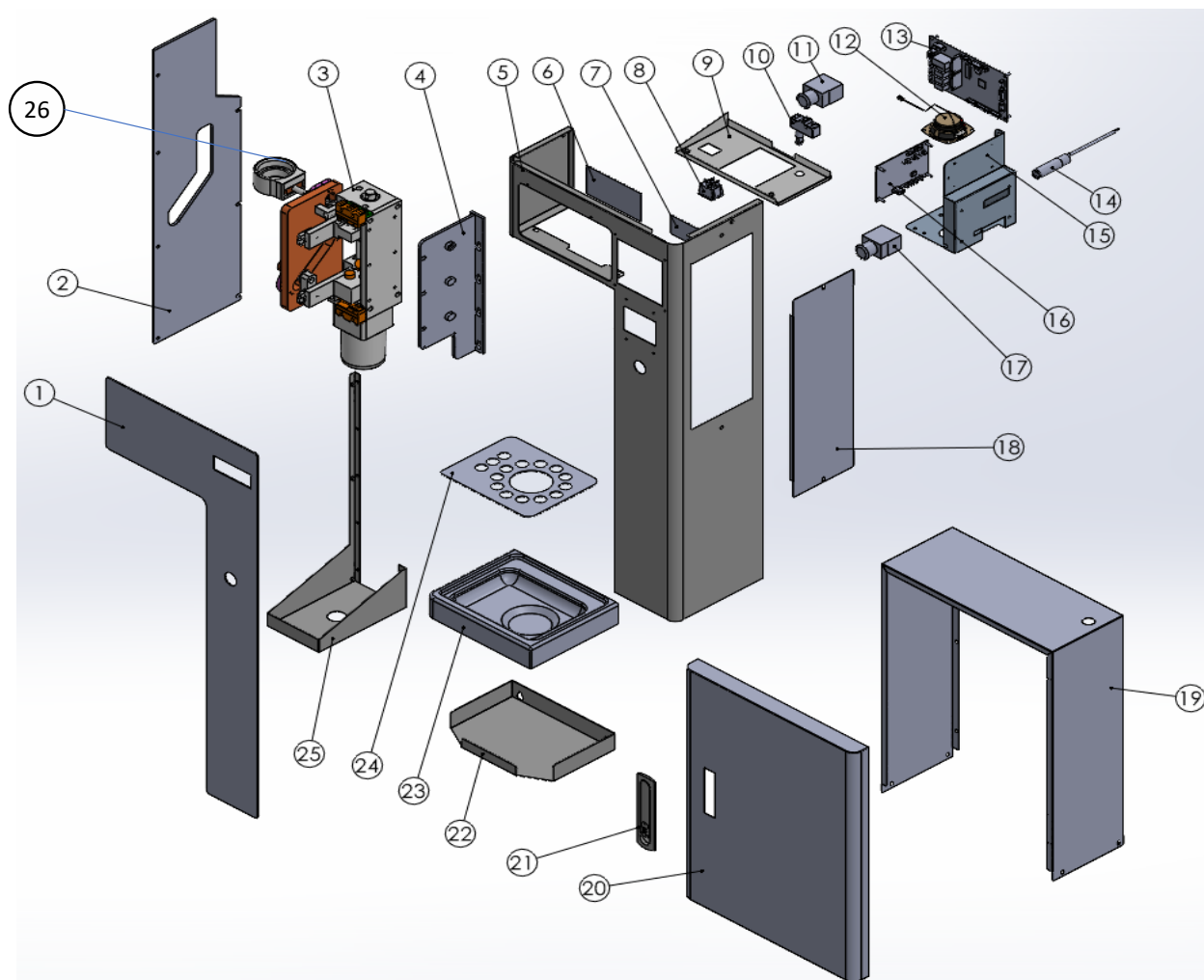
### ISI-271SHSN DOOR AND BEATER ASSEMBLY



NO	PART DESCRIPTION(NEW FORMAT)	PART NAME(OLD)	PART NUMBER	Requested Q'ty
1	NUT-STUD 271	JOINT BOLT TOP	214025700	4
2	DOOR-FREEZING CYLINDER 271	DASHER COVER	317136003	1
3-1	O-RING DRAW VALVE UPPER 271	PACKING PISTION TOP	303027600	2
3	O-RING DRAW VALVE LOWER 271		303023900	2
4	DRAW VALVE 271	PISTON SHELF	430001902	1
5	DRAW VALVE CAM SHAFT	PISTON CAM	314026102	1
6	CAM SENSOR BRACKET	BKT CAM SENSOR	301097601	1
7	PROXIMITY SENSOR ASSEMBLY	ASSY PROXIMITY SENSOR	735000600	1
8	GEARED CAM MOTOR-DSM3448	DC GEARED MOTOR/DSM-3448	353026100	1
9	CAM MOTOR BRACKET1	BKT PISTON MOTOR	301175500	1
10	CAM MOTOR BRACKET2	BKT PISTON MOTOR S	301175300	1
11	SCRAPER BLADE-BACK 271	DASHER LUG BACK WHITE	403009900	2

12	BEATER 271	DASHER ASSY	403013502	1
13	SCRAPER BLADE-FRONT 271	DASHER LUG FRONT WHITE	403009600	2
14	BAFFLE 271	MIXING SHAFT (WHITE)	610032600	1
15	GASKET-DOOR 271	PACKING DASHER COVER	303025800	1
16	STUD-NOSE CONE 271	BOLT FRONT DRAWING	214012000	1

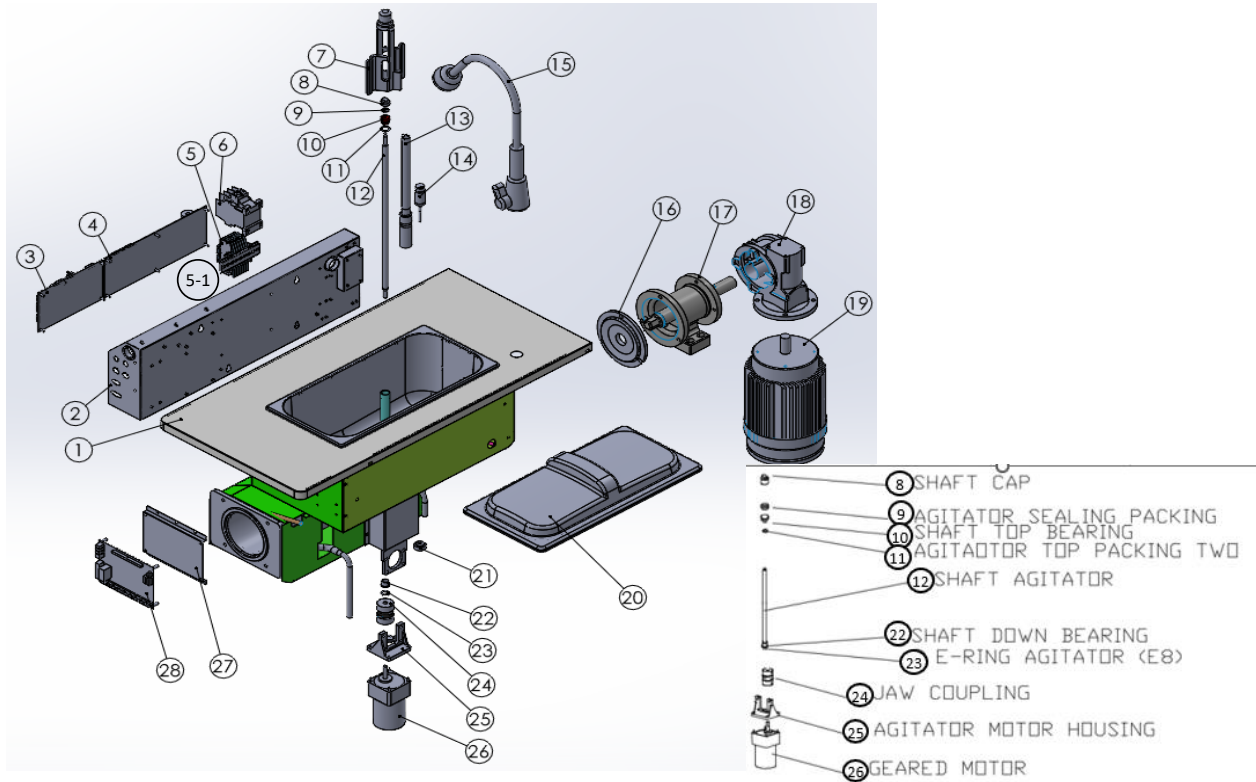
## ISI-271SHSN FRONT PANEL AND DISPLAY



	PART DESCRIPTION(NEW FORMAT)	PART NAME(OLD)	PART NUMBER	Requested Q'ty
1	BUTTON DISPLAY DECAL 271SHSN	FRONT DISPLAY	440033900	1
2	FEEDER ARM COVER	COVER FEEDER	317122700	1
3	FEEDER ARM ASSEMBLY	ASSY FEEDER	730000502	1
4	FEEDER ARM BRACKET	SUPPORT FEEDER	317122300	1
5	FRONT PANEL	FRONT FEEDER COVER	317120500	1
6	LCD DISPLAY PCB	LCD SET PCB	367008501	1
7	BUTTON PCB 271	BUTTON PCB	367008801	1
8	MAIN SWITCH 271	SWITCH	355011600	1
9	FRONT PANEL SUPPORT BRACKET	FRONT COVER SUP	317121800	1
10	MICRO SWITCH ASSEMBLY 271	ASSY MICRO SWITCH	460002500	1
11	PUSH BUTTON UPPER	PUSH BUTTON	355024000	1

12	SPEAKER	SPEAKER	633000300	1
13	MAIN PCB-HT	MAIN PCB	367008400	1
14	PHOTO SENSOR ASSEMBLY	ASSY PHOTO SENSOR	735000700	1
15	USB DOWNLOAD PCB BRACKET	BKT USB PCB	301103300	1
16	USB DOWNLOAD PCB	USB DOWNLOAD PCB	367009304	1
17	PUSH BUTTON LOWER	PUSH BUTTON	355017700	1
18	USB DOWN LOAD PCB COVER	COVER SIDE PCB 7-11	317201800	1
19	LOWER CABINET BODY	FRONT CASE BODY	317126200	1
20	LOWER CABINET DOOR	FRONT CASE DOOR	317126100	1
21	CABINET DOOR KEY	DOOR KEY	219003000	1
22	DRIP TRAY BRACKET 271	BKT DRAIN BOX	610034200	1
23	TRAY-DRIP 271	DRAIN BOX	336013800	1
24	SHEILD-SPLASH 271	DRAIN BOX UP	336029100	1
25	FRONT PANEL BASE	BASE FRONT COVER	317120400	1
26	CUP HOLDER		395007500	1

ISI-271 SHELL AND MOTORS

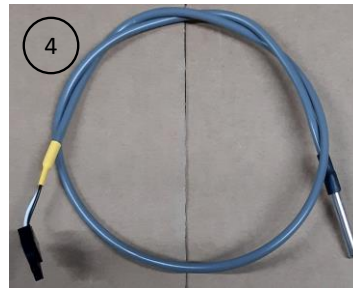
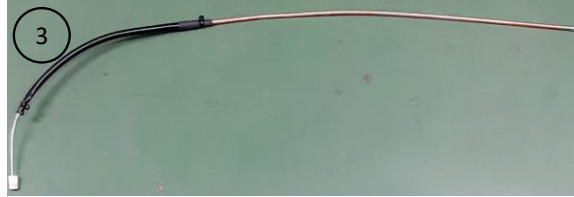
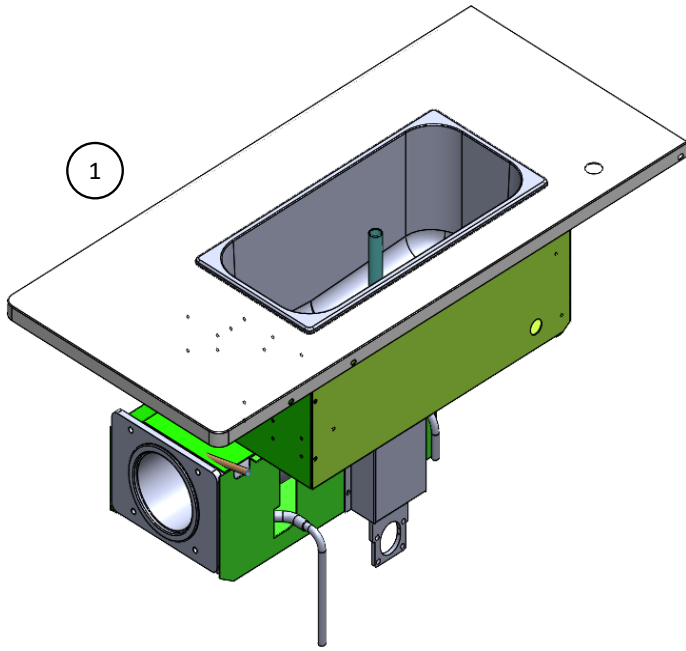


1.3

NO	PART DESCRIPTION(NEW FORMAT)	PART NAME(OLD)	PART NUMBER	Requested Q'ty
1	SHELL AND HOPPER 271SHSN	ASSY DRUM 271SHSN	410039000	1
2	CONTROL BOX	CONTROL BOX	374126601	1
3	VENDING PCB 271	VENDING PCB	367009002	1
4	CONTROL PCB 271	CONTROL PCB	367008200	1
5	SMPS	SMPS	629000600	1
5-1	TERMINAL BLOCK ASSEMBLY	ASSY TERMINAL BLOCK	704000700	1
6	MAGNETIC CONTACTOR	MAGNET CONTACTOR	322005000	1
7	AGITATOR PADDLE 271	AGITATOR IMPELLAR	390000800	1
8	SHAFT CAP 161 271	SHAFT CAP	314012700	1
9	AGITATOR SEALING PACKING 161 271	AGITATOR SEALING PACKING	303020700	1
10	SHAFT TOP BEARING 161 271	SHAFT TOP BEARING	314012900	1
11	AGITATOR TOP PACKING TWO 161 271	AGITATOR TOP PACKING TWO	303018600	1
11-1	BUSH AGITATOR 161 271	BUSH AGITATOR	336029000	1
12	SHAFT AGITATOR 271	SHAFT AGITATOR	314026800	1
13	FEED TUBE ASSEMBLY 271	CARBURETOR ASSY	729001700	1
14	MIX LEVEL SENSOR ASSEMBLY 271	ASSY MIX SENSOR	655011300	1
15	WATER FAUCET	WATER VAVLE	241000100	1
16	POM FLANGE 271	POM FLANGE	397001600	1
16-1	FRONT SEAL OF POM FLANGE 271		303024900	1
16-2	BACK SEAL OF POM FRANGE 271		303025900	1

17	HOUSING OF SHAFT BEATER ASSEMBLY 271	ASSY HOUSING SHAFT	430001500	1
18	GEAR-SPEED REDUCER 271 301	SPEED REDUCER	355013100	1
19	BEATER-MOTOR 271	DASHER MOTOR	353036800	1
20	HOPPER COVER 271	COVER BASKET	317112401	1
21	MIX SENSOR DOWN CAP 271	MIX DOWN CAP	655011200	1
22	SHAFT DOWN BEARING	SHAFT DOWN BEARING	314013000	1
23	E RING AGITATOR	E RING AGITATOR	303018900	2
24	AGITATOR JAW COUPLER 271 301	JAW COUPLING	612000400	1
25	AGITATOR GEARED MOTOR HOUSING 271 301	AGITATOR MOTOR HOUSING	390001100	1
26	AGITATOR GEATED MOTOR 271	ASSY GEARED MOTOR/SPG/56X57-X58	406009200	1
27	MAIN PCB BRACKET	BKT MAIN PCB	301173100	1
28	MAIN PCB-HT	MAIN PCB	367008400	1

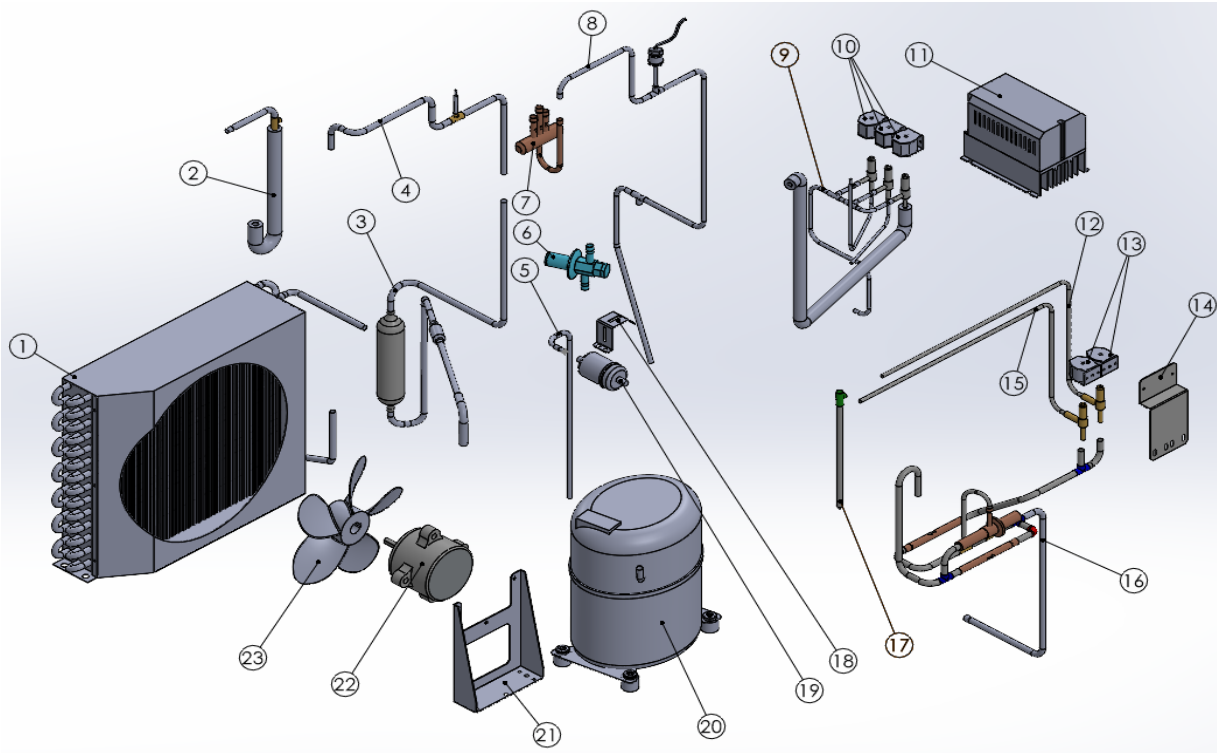
**ISI-271 SHSN SHELL & HOPPER, SENSORS**



ISI-271SHSN 220V,60Hz

NO	PART DESCRIPTION(NEW FORMAT)	PART NAME(OLD)	PART NUMBER	Requested Q'ty
1	SHELL AND HOPPER 271SHSN	ASSY DRUM 271SHSN	410039000	1
2	THERMISTOR SENSOR-CYLINDER 161 163 271	THERMAL SENSOR CYLINDER	317075102	1
3	THERMISTOR SENSOR-HOPPER 203	THERMAL SENSOR MIX	317101901	1
4	THERMISTOR SENSOR-CONDENSER 271	EVA SENSOR (S)	655007400	1

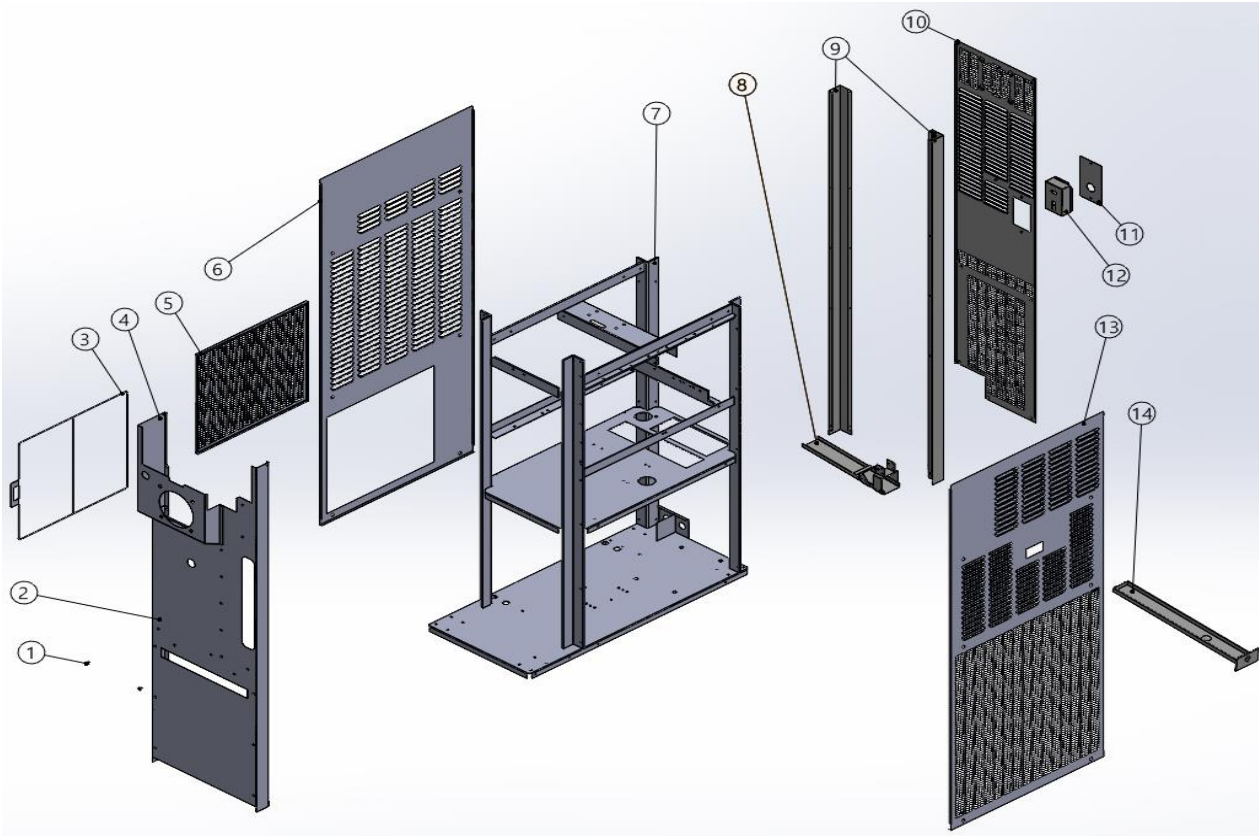
ISI-271SHSN REFRIGERATION



NO	PART DESCRIPTION(NEW FORMAT)	PART NAME(OLD)	PART NUMBER	Requested Q'ty
1	CONDENSER ASSEMBLY 271SNSN	CONDENSER ASSY	411006101	1
2	FREEZER INLET PIPE ASSEMBLY	냉동 IN PIPE ASSY	325142901	1
3	SUCTION PIPE ASSEMBLY 1	SUCTION PIPE 2 ASSY	325143100	1
4	SUCTION PIPE ASSEMBLY 2	SUCTION PIPE 1 ASSY	325143000	1
5	CONDENSER OUTLET PIPE	COND OUTLET PIPE	325142800	1
6	AXV 271-COOL CYCLE	EXPANSION V/V	340006100	1
6-1	AXV 271-HEAT CYCLE	EXPANSION V/V	340013200	1
7	4 WAY VALVE	4 WAY VALVE BODY	340012400	1
8	DISCHARGE PIPE ASSEMBLY	DISCHARGE PIPE ASSY	325142500	1
9	SOLENOID BODY ASSEMBLY 271	SOL V/V ASSY	325142600	1
10	SOLENOID VALVE COIL ASSEMBLY(WHITE)	ASSY SOLENOID VALVE COIL(WHITE)	429003300	1
	SOLENOID VALVE COIL ASSEMBLY(YELLOW)	ASSY SOLENOID VALVE COIL(YELLOW)	429003400	1
	SOLENOID VALVE COIL ASSEMBLY(BLUE)	ASSY SOLENOID VALVE COIL(BLUE)	429003500	1
11	INVERTER 271	INVERTER	500000305	1
12	HOT GAS LINE FOR HOPPER	HOT GAS 냉장 PIPE ASSY	433018900	1
13	SOLENOID VALVE COIL	SOLENOID VALVE COIL	429002500	1
	SOLENOID VALVE COIL ASSEMBLY(GREEN)	ASSY SOLENOID VALVE COIL(GREEN)	429002600	1

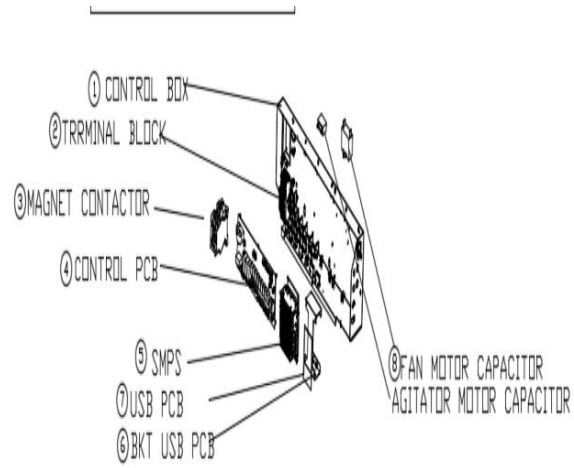
15	HOT GAS LINE FOR FREEZER	HOT GAS 냉동 PIPE ASSY	433018800	1
16	CONDENSER INLET ASSEMBLY	COND INNET ASSY	325142700	1
17	HOPPER LINET PIPE ASSEMBLY	냉장 IN PIPE ASSY	433018300	1
19	FILTER DRYER	FILTER DRYER	372001600	1
20	COMPRESSOR 271 SHSN	COMP	394012000	1
21	FAN MOTOR BRACKET	BKT FAN MOTOR	301037400	1
22	MOTOR FAN 271	FAN MOTOR/대영/DAI-95254SECB	353015901	1
23	FAN BALDE 271	FAN	308001800	1
24	COMPRESSOR STARTER KIT 271SHSN	ASSY CAPACITOR BOX	426059700	1
25	HIGH PRESSURE CUT OUT/SRT1008 161	PRESSURE SWITCH/SRT1008	355015100	1

## ISI-271SHSN PANELS



NO	PART DESCRIPTION(NEW FORMAT)	PART NAME(OLD)	PART NUMBER	Requested Q'ty
1	DRIP TRAY FIX BOLT 271	DRAIN FIX BOLT	214014900	2
2	FRONT LOWER PANEL 271SHSN	FRONT COVER DOWN	317126000	1
3	AIR FILTER 271SHSN	FILTER CONDENSER	640008600	1
4	FRONT UPPER PANEL 271SHSN	FRONT COVER TOP	317121200	1
5	AIR FILTER BRACKET	BKT FILTER	301167800	1
6	SIDE PANEL-LEFT 271SHSN	SIDE PANEL (L)	349070001	1
7	ASSY ANGLE 271SHSN	ASSY ANGLE 271SHSN	443057100	1
8	DRIP PAN HOLDER 271	ASSY DRAIN SLUG	417013900	1
9	REAR COLUMN 271SHSN	COLUMN BACK (L/R)	350007300	2
10	BACK PANEL 271SHSN	BACK PANEL	349069800	1
11	PUSH BOTTON COVER	PUSH S/W COVER	317123200	1
12	PUSH BOTTON BOX	PUSH S/W BOX	374127400	1
13	SIDE PANEL-RIGHT 271SHSN	SIDE PANEL (R)	349069901	1
14	DRIP PAN 271	DRAIN SLUG 후가공	610025600	1

ISI-271 CONTROL BOARD



NO	PART DESCRIPTION(NEW FORMAT)	PART NAME(OLD)	PART NUMBER	Requested Q'ty
2	TERMINAL BLOCK ASSEMBLY	ASSY TERMINAL BLOCK	704000700	1
3	MAGNETIC CONTACTOR	MAGNET CONTACTOR	322005000	1
4	CONTROL PCB 271	CONTROL PCB	367008200	1
5	SMPS	SMPS	629000600	1
6	USB DOWNLOAD PCB BRACKET	BKT USB PCB	301151210	1
7	USB DOWNLOAD PCB	USB DOWNLOAD PCB	367009304	1
8	TURBO FAN CAPACITOR	CAPACITOR (TURBO FAN)	387004300	1